

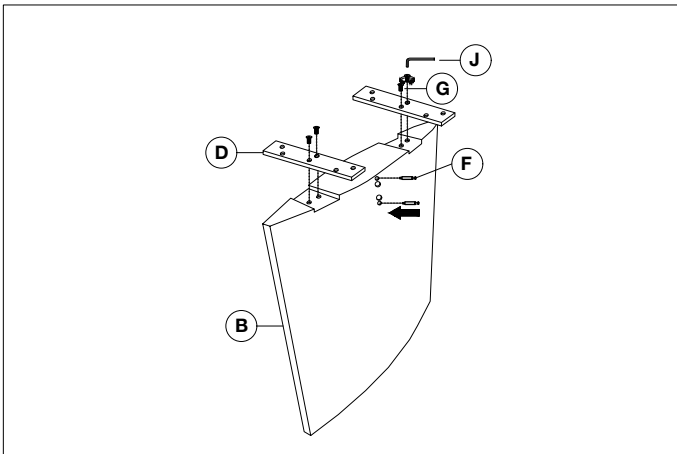
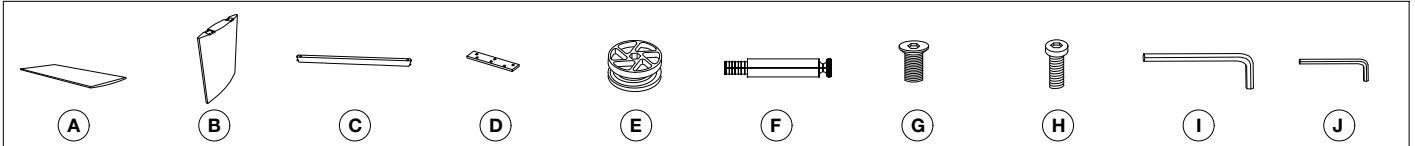
Item type
Dining Table
Item name
Tricia

Attention!
Place the item on a padded area to prevent damage to the item.

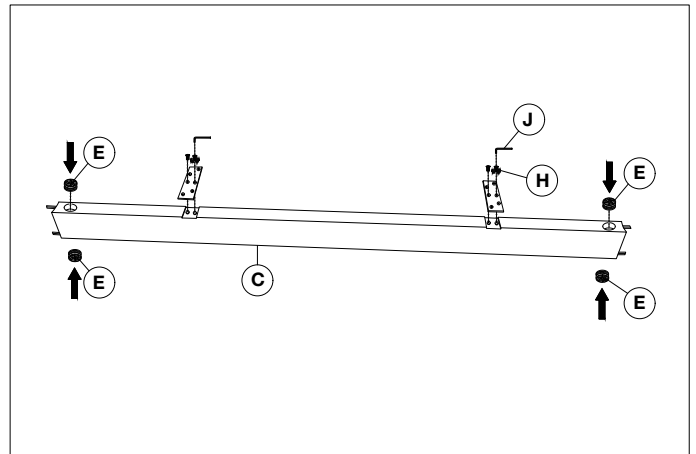
Care instructions:
Dust regularly and clean with a soft dry cloth. Remove spills immediately to avoid staining and always use coasters.

Eichholtz B.V.
Delfweg 52
2211 VN Noordwijkerhout
The Netherlands

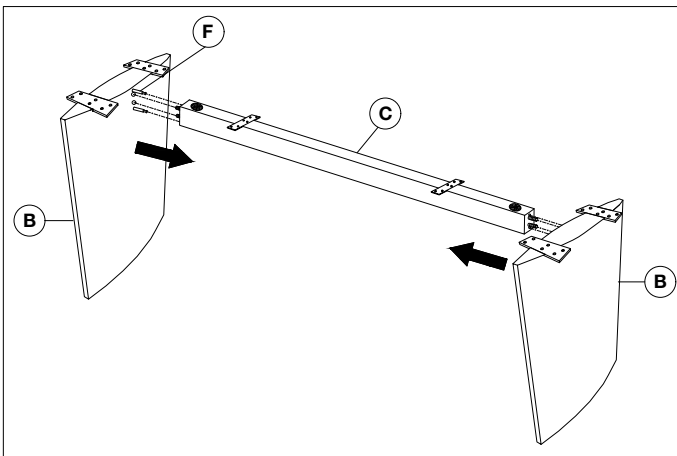
🏠 www.eichholtz.com
✉ service@eichholtz.com
☎ +31 (0)252 515 850



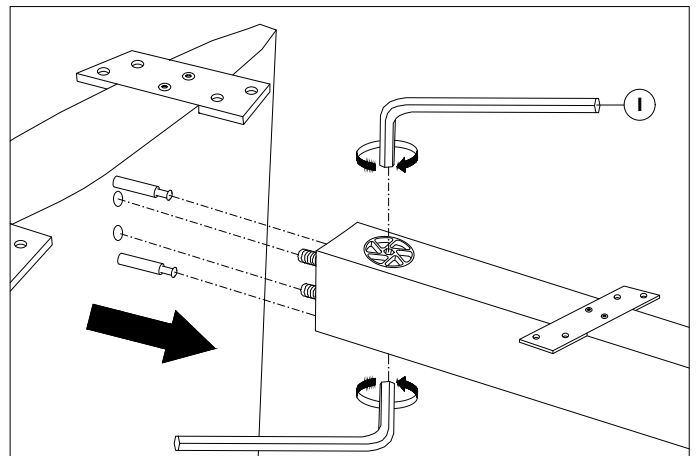
1. Assemble the mounting plates (D) to the legs using bolts (H) and the allen key (J). Screw the cam screws (F) into the legs.



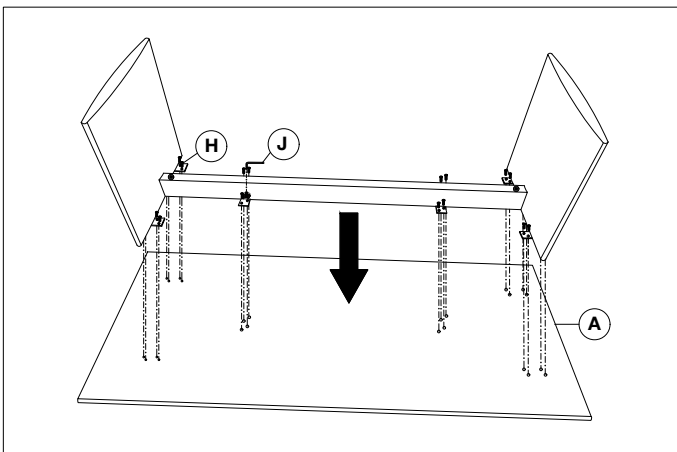
2. Assemble the mounting plates (C) to the cross bar using bolts (H) and the allen key (J). Insert the cam locks (E).



3. Press the legs onto the the cross bar.



4. Turn the cam locks with allen key to tighten.



4. Place the table top upside down on a padded area to prevent damage. Assemble the base to the top using the longer bolts (H) and the allen key.