



**Item type**

Side Table

**Item name**

Vauclair

**Attention!**

Place the item on a padded area to prevent damage to the item.

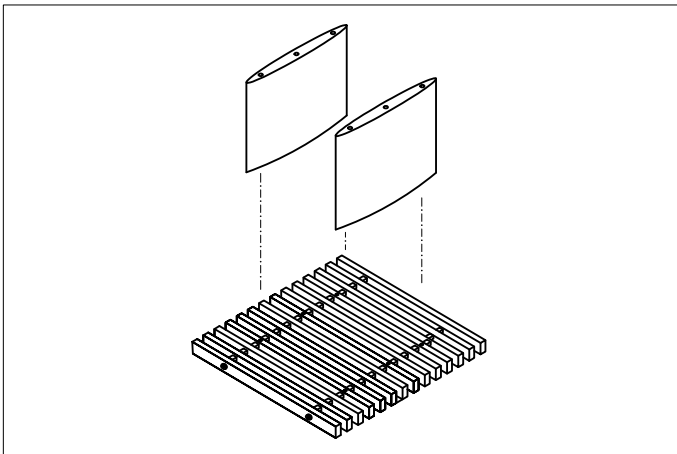
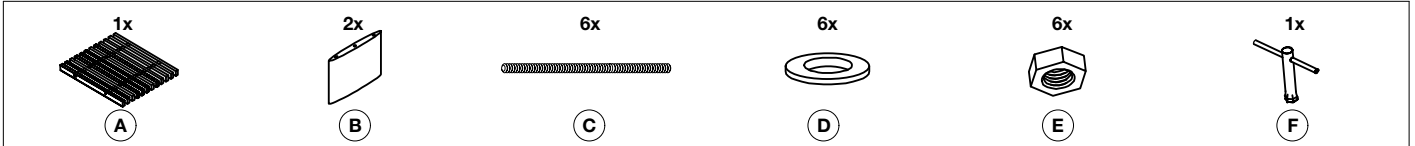
**Care instructions:**

Dust regularly and clean with a soft dry cloth.  
Remove spills immediately to avoid staining and always use coasters.

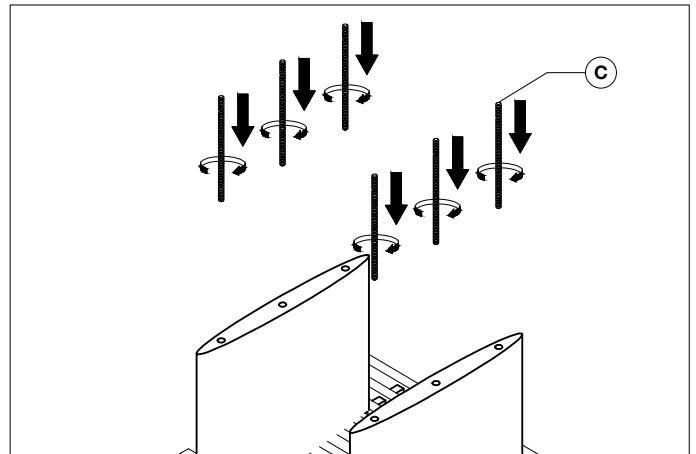
**Eichholtz B.V.**

Delfweg 52  
2211 VN Noordwijkerhout  
The Netherlands

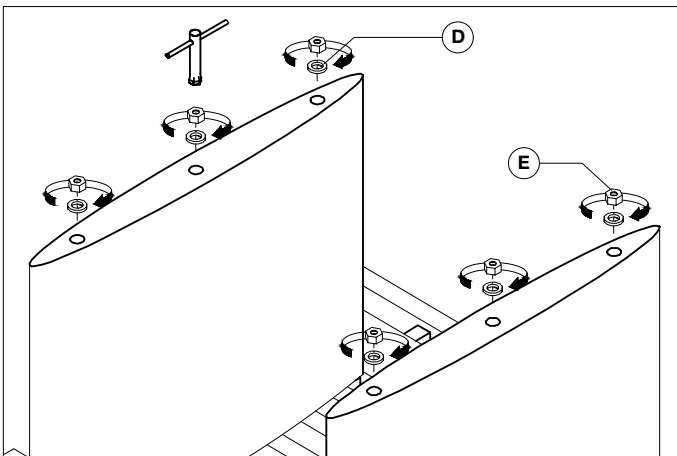
🏠 [www.eichholtz.com](http://www.eichholtz.com)  
✉ [service@eichholtz.com](mailto:service@eichholtz.com)  
☎ +31 (0)252 515 850



1. Align the legs with the holes in the top



2. Screw the rods into the table top



3. Place the ring and the nut and tighten the nuts with the tool