

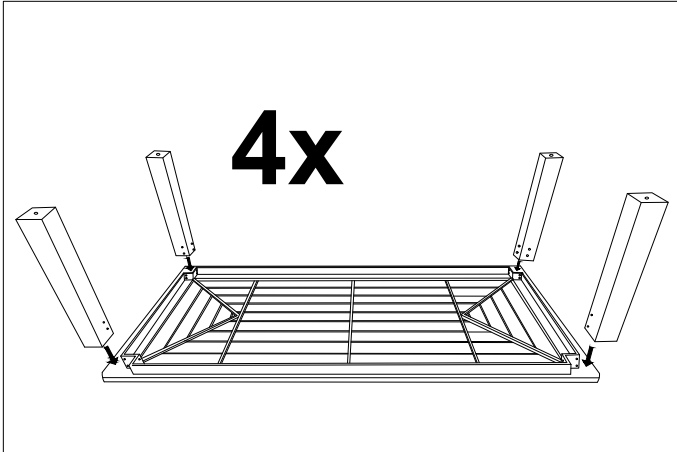
**Item type**  
Dining table  
**Item name**  
Vistamar

**Attention!**  
Place the item on a padded area to prevent damage to the item.

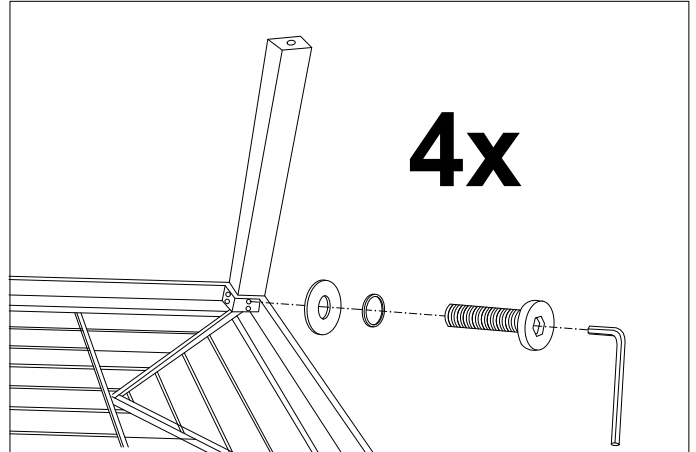
**Care instructions:**  
Hose down if needed, or clean with a soft cloth with water or a mild detergent.  
Do not use abrasive cleaning materials.

**Eichholtz B.V.**  
Delfweg 52  
2211 VN Noordwijkerhout  
The Netherlands

🏠 [www.eichholtz.com](http://www.eichholtz.com)  
✉ [service@eichholtz.com](mailto:service@eichholtz.com)  
☎ +31 (0)252 515 850



**1.** Carefully place the legs on the table top and align the holes of the legs with the holes in the table top.



**2.** Fix the legs onto the table top by securing the screws with an allen key.