

Item type

Wall lamp

Item name

Romeo

Item no

113548UL

Attention! Do not connect your luminaire to electricity until it is fully assembled.

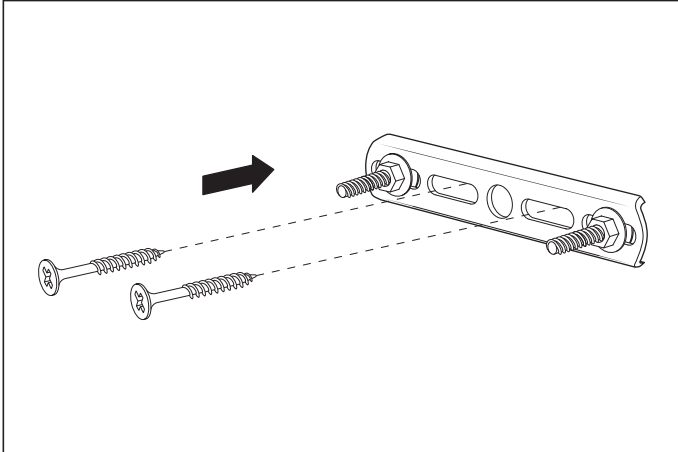
Care instructions:

Wipe with a soft dry cloth, do not use chemicals or abrasive cleaning materials.

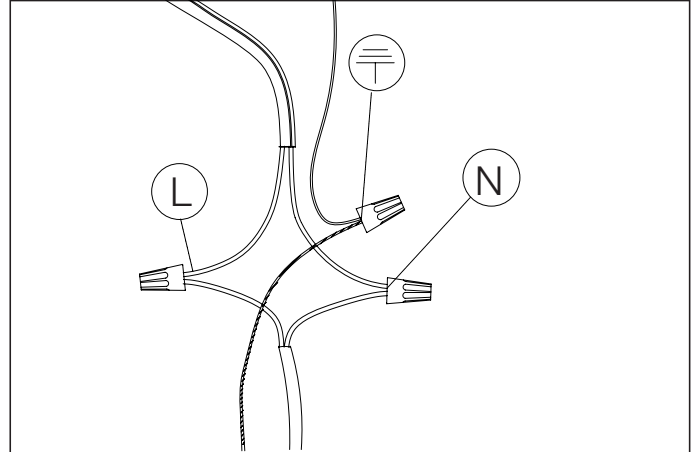
Eichholtz B.V.

Delfweg 52
2211 VN Noordwijkerhout
The Netherlands

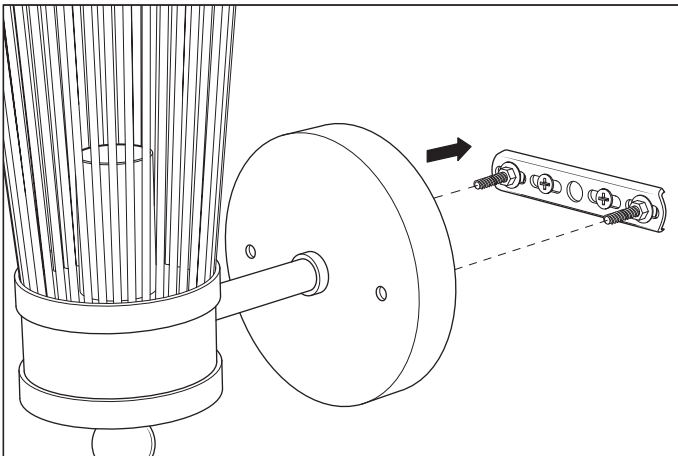
🏠 www.eichholtz.com
✉ service@eichholtz.com
☎ +31 (0)252 515 850



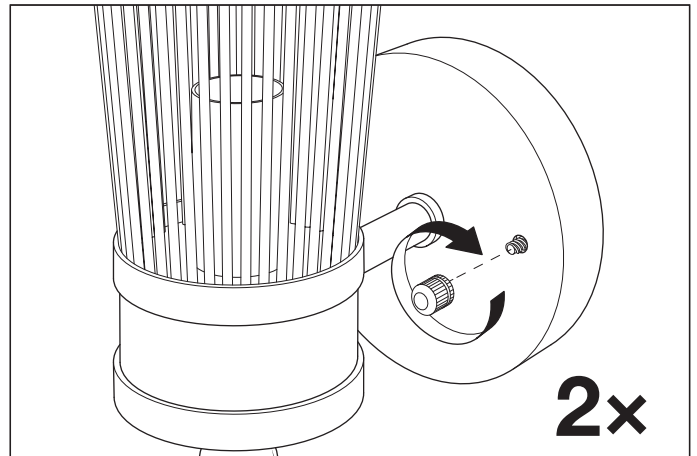
1. Fix the cross bar to the wall by using wall mounting plugs and screws suitable for your wall type.



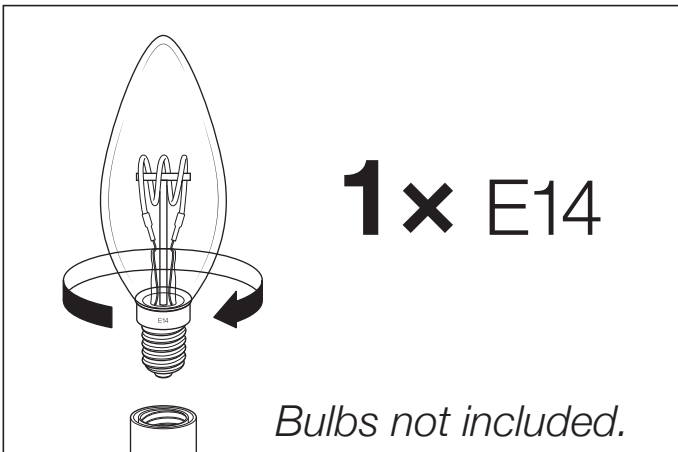
2. Connect the 3 wires according to their colours. Brown is the live wire, blue is the neutral wire, green/yellow is the earth wire.



3. Place the lamp over the cross bar.



4. Fix the lamp securely with the knobs.



5. Carefully place the bulb in the fittings. Do NOT turn the bulb further than necessary, to prevent damage to the fitting.