

Item type

Chandelier

Item name

Marly

Item no

112858UL

Attention! Do not connect your luminaire to electricity until it is fully assembled.

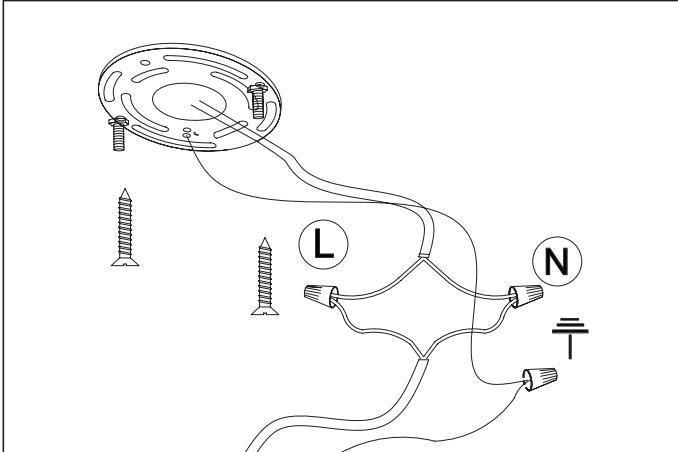
Care instructions:

Wipe with a soft dry cloth, do not use chemicals or abrasive cleaning materials.

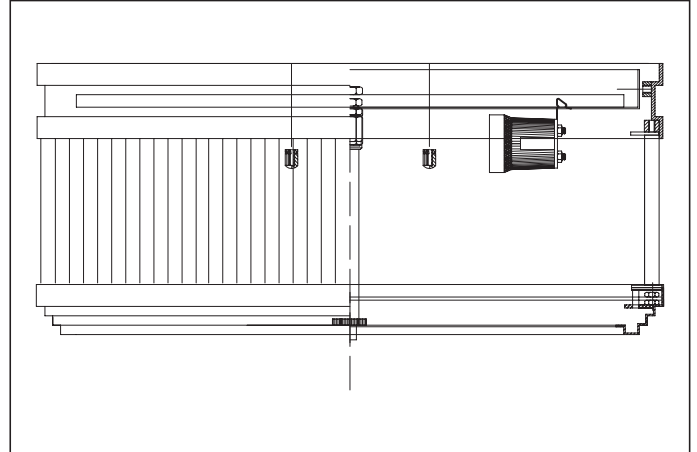
Eichholtz B.V.

Delfweg 52
2211 VN Noordwijkerhout
The Netherlands

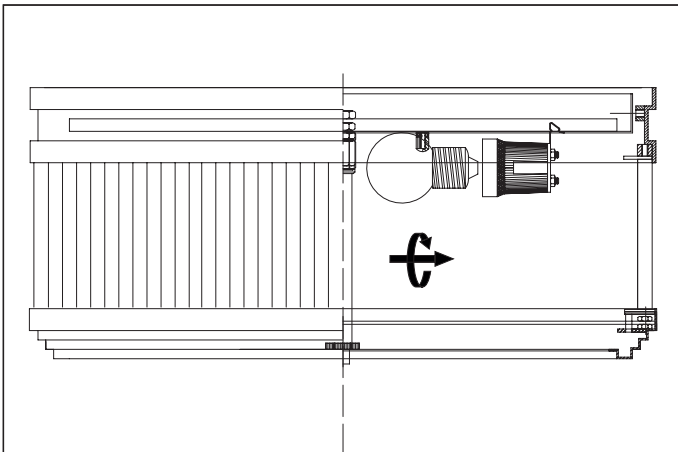
🏠 www.eichholtz.com
✉ service@eichholtz.com
☎ +31 (0)252 515 850



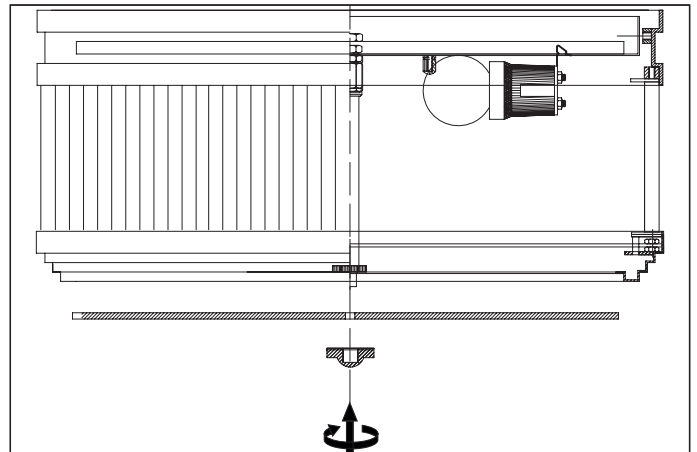
1. Fix the wall plate to the wall by using wall mounting plugs and screws suitable for your wall type.



2. Determine the desired height of the lamp and connect either one, two or three of the pipes supplied. Thread the wire through the pipes.



3. Connect the 3 wires according to their colours. Brown is the live wire, blue is the neutral wire, green/yellow is the earth wire.
The LED driver is suitable to be used in combination with a LED dimmer (not included).



4. Place the canopy over the crossbar and fix it with the two nuts.