

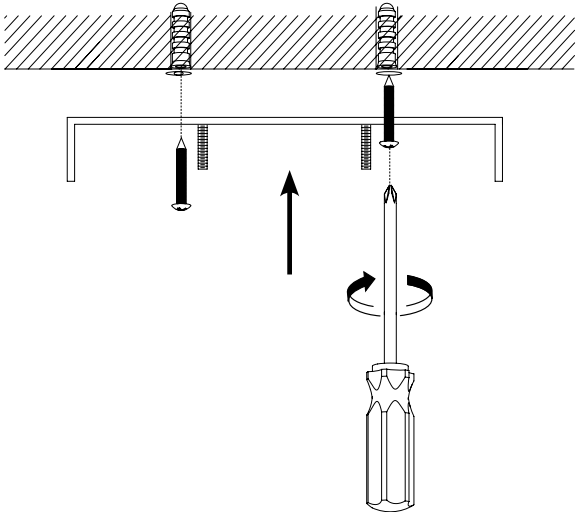


E I C H H O L T Z

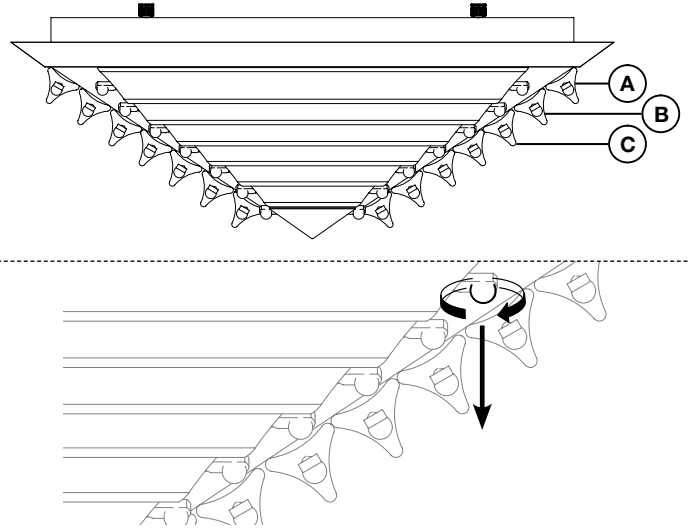
112696UL CEILING LAMP EDEN

ASSEMBLY INSTRUCTION

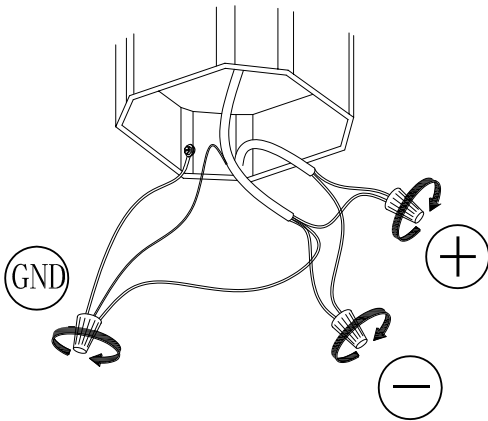
**1** Fix the wall plate to the wall by using wall mounting plugs and screws suitable to your wall type.



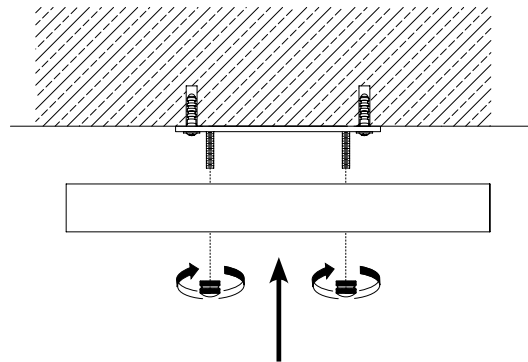
**2** Remove the glass (A, B, en C)



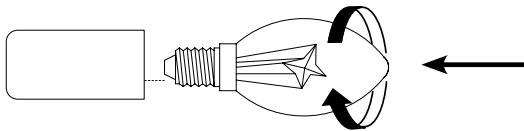
**3** Connect the neutral wire to "N", connect the live wire to "L", connect the earthwire to the earth symbol (GND).



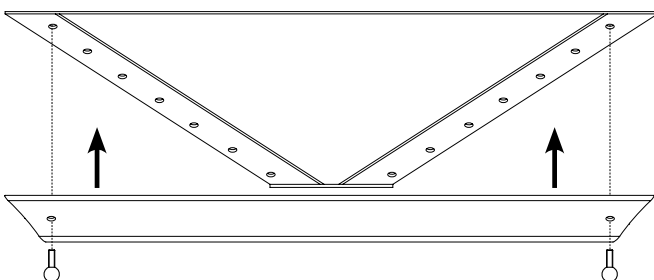
**4** Place the lamp over the wall plate and fix it securely with the screws supplied.



**5** Place the bulb to the lampholder



**6** Fix the three glasses (A, B, C)



**FINAL**

