



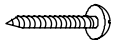
E I C H H O L T Z

109616 CABINET ELEGANCIA

ASSEMBLY INSTRUCTION

PARTS SMALL

2x



I

4x



H

4x



G

1x



F

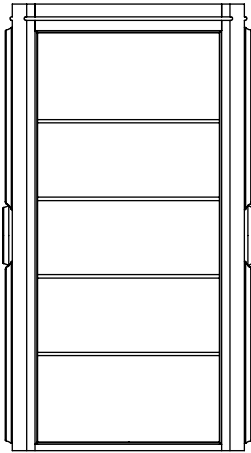
16x



E

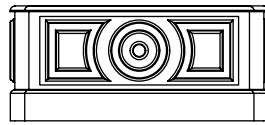
PARTS LARGE

1x



C

1x



B

1x



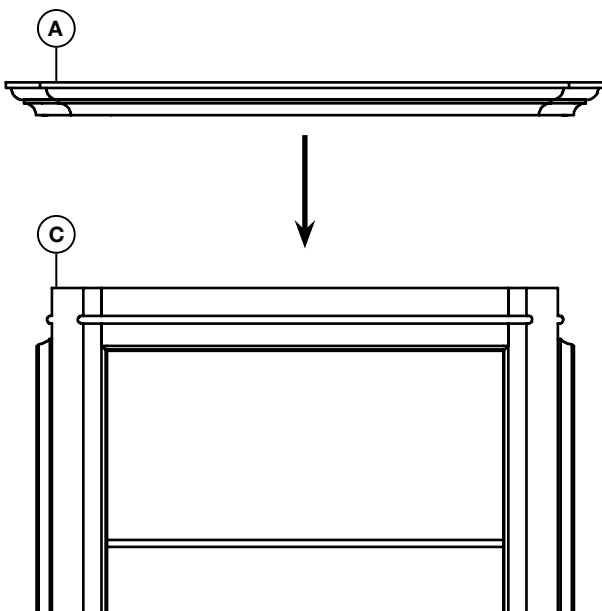
A

4x

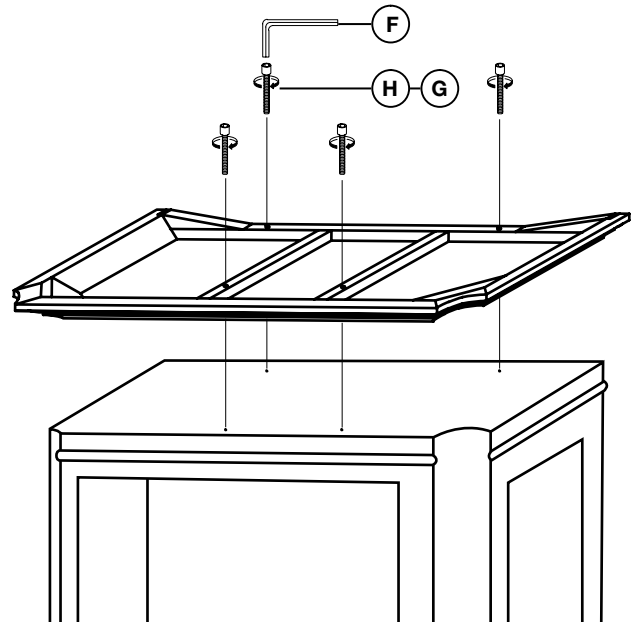


D

1 Put the top (A) on to the Cabinet middle part (C).



2 Turn in the screws (H) and rings (G) (4x) using the allen-key (F).



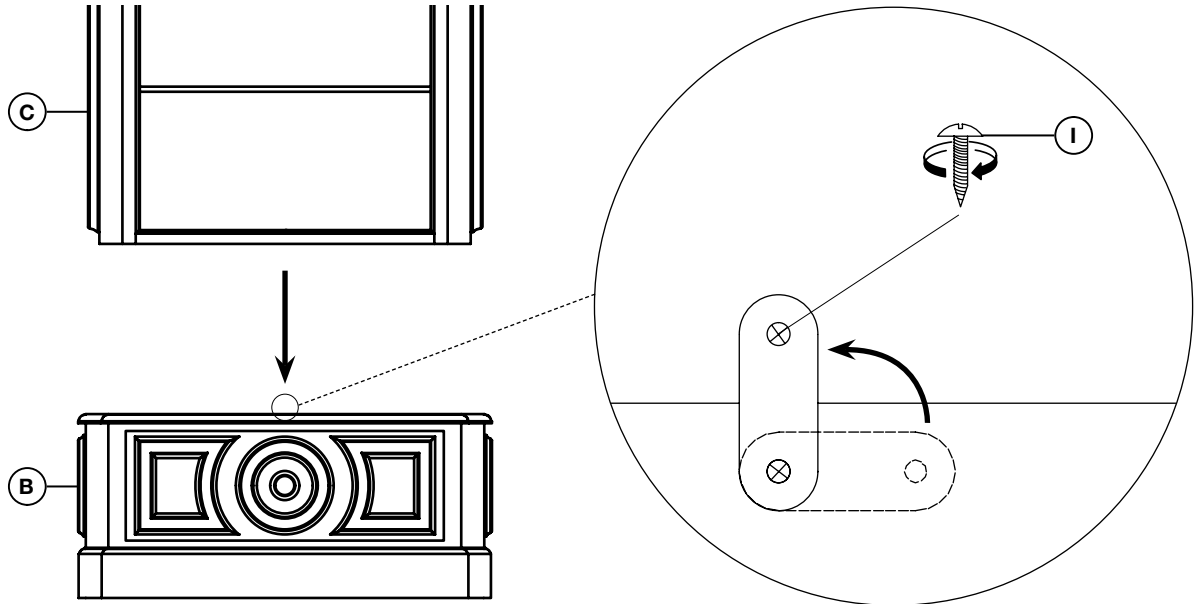


E I C H H O L T Z

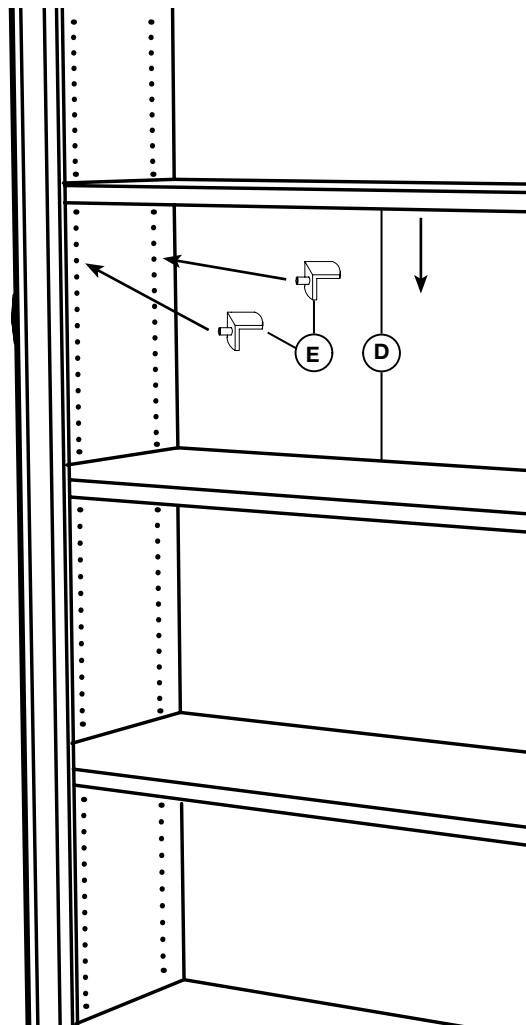
109616 CABINET ELEGANCIA

ASSEMBLY INSTRUCTION

3 Put the middle of the cabinet (A) on the bottom part (B) and connect the two part with the screws (I) at the front and back of the cabinet.



4 Put the shelf holders (E) in the holes and let the shelf (D) rest on it. Use 4 shelf holders for each shelf.



Final

